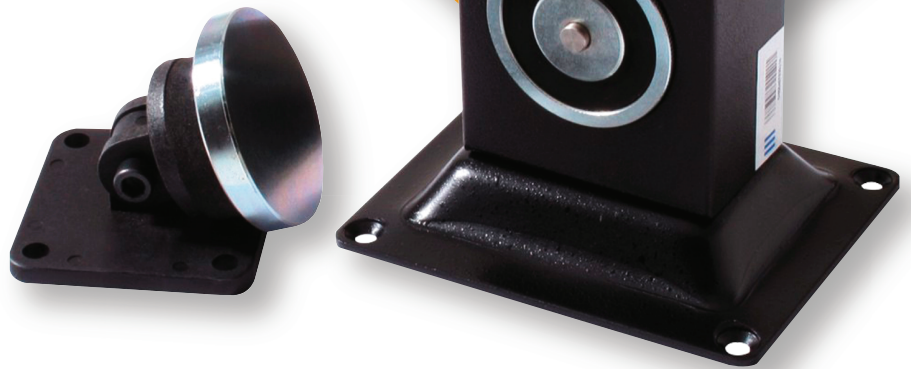


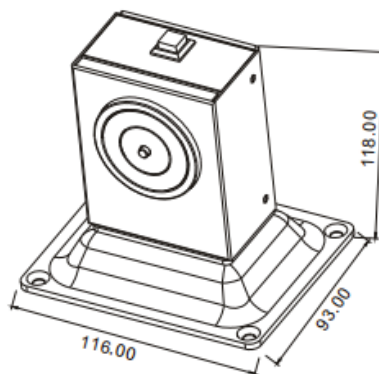
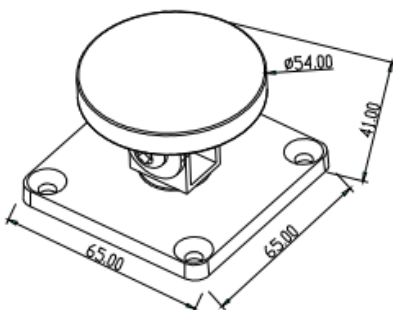
VI-53

Magnetic Door Holder

Model



Specification	
Product Parameter	Parameter Description
Dimensions	70Lx40Wx85H(mm)
Holding Force	50kg(110Lbs)
Voltage	DC24V+10%(12VDC need order)
Current Draw	12V/180mA 24V/70mA
Optional	Manual door release button
Suitable for	All Kind of Single & Double Smokeproof Doors
Surface Temp	≤+20°C
Operating Temp	-10~+55°C(14-131F)
Suitable Humidity	0~90%(relative humidity)
Finishes for Shell	High Temperature Paint and Environmental Protection
Finishes for Armature	Zinc
Weight	0.9kg



Dimensions

