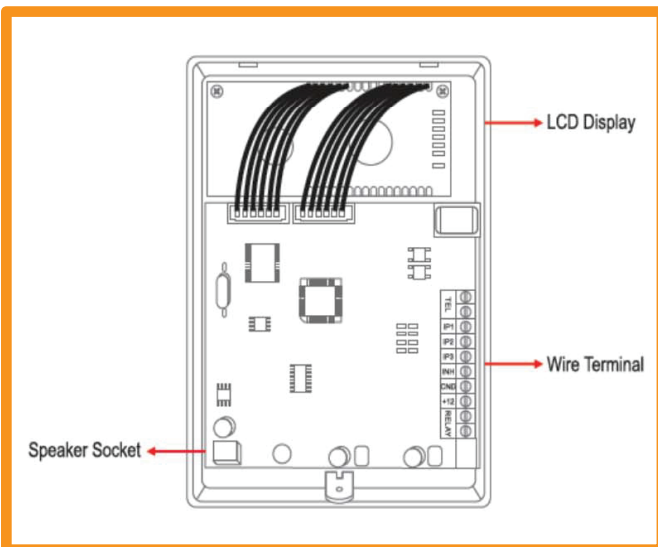
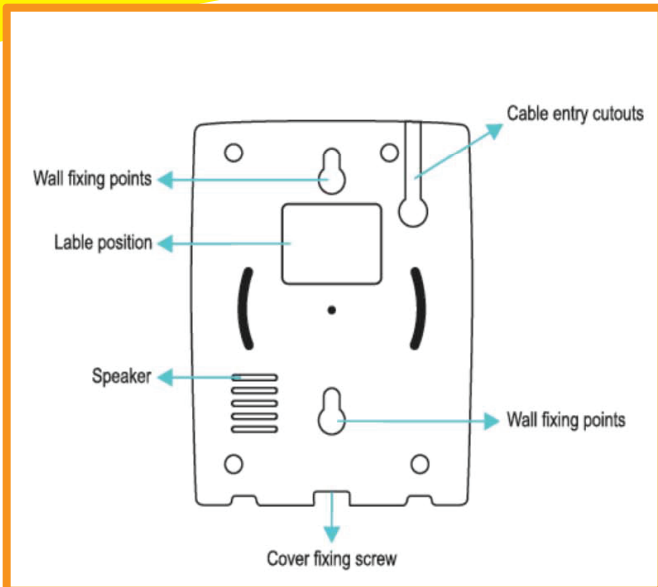
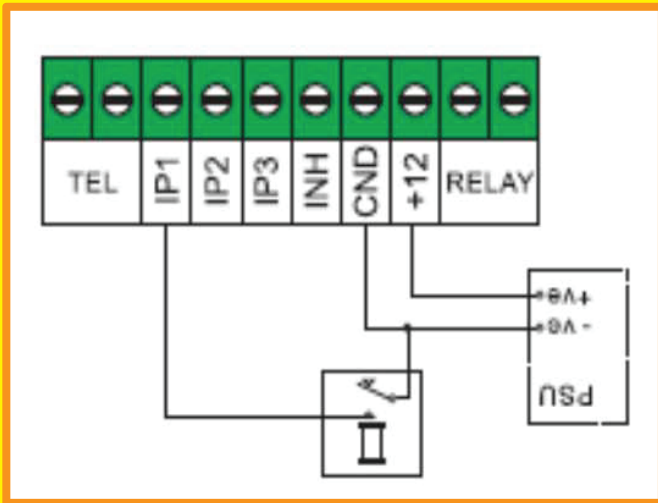


Telephone Auto Dialer



ADT - AD20

ADT-AD20

FUNCTION INSTRUCTION

1. Dialing from telephone line by trigger signal
 2. 3 in put
 3. 2 trigger model:(+/-)
 4. 6 telephone alarm memory number
 5. Record 12 sec location voice message + 3 in put 6 sec alarm voice message
 6. LCD with back light
 7. Level/Edge trigger model
 8. Tone Dialing
 9. Device password protect
 10. Flash Memory
 11. could use with all alarm panel
 12. 1 Out remote phone control
- Operating current Min 100mA (12 VDC)